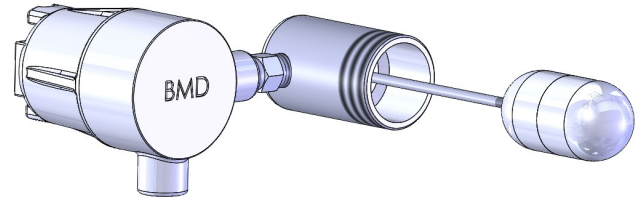


## LC25 Electric Level Control

The LC25 is a low-pressure, float operated, liquid level switch. With a working pressure of up to 200 psi, the LC25 features a rugged aluminum housing containing a SPDT switch that can be wired to either make or break contact when the liquid level rises or falls.



## Specifications

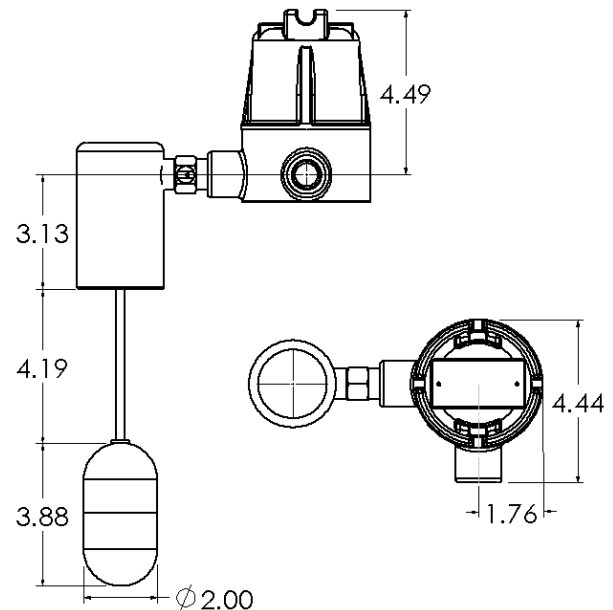
Sizes: 2" NPT  
 Pressure Rating: 200 psi  
 Temperature Range: -20° F to 400° F (-29° C to 204° C)  
 Electric Switch Ratings:  
 15A @ 125, 250, 480 VAC  
 1/8 HP @ 125 VAC  
 1/4A @ 250 VDC  
 1/4 HP @ 250 VAC  
 1/2A @ 125 VDC

### Materials:

Housing: Cast Aluminum  
 Body: Zinc Plated Carbon Steel  
 Float: 304 Stainless Steel  
 Arm: 304 Stainless Steel  
 Shaft: Dry Film Lubricated Stainless Steel  
 Seals: Viton  
 Pilot Body: Aluminum

## Dimensions

Dimensions in inches.



## How to Order

Model Number	Description
LC25-1	Standard